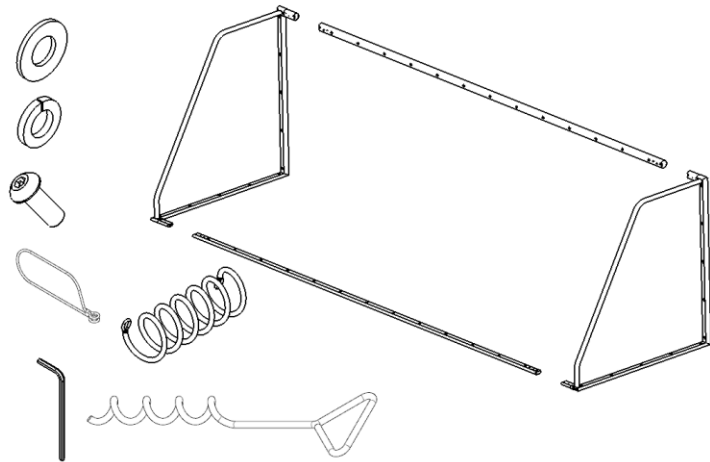




DM1200, DM1600, DM1800, DM2100, AND DM 2400 INSTALLATION INSTRUCTIONS

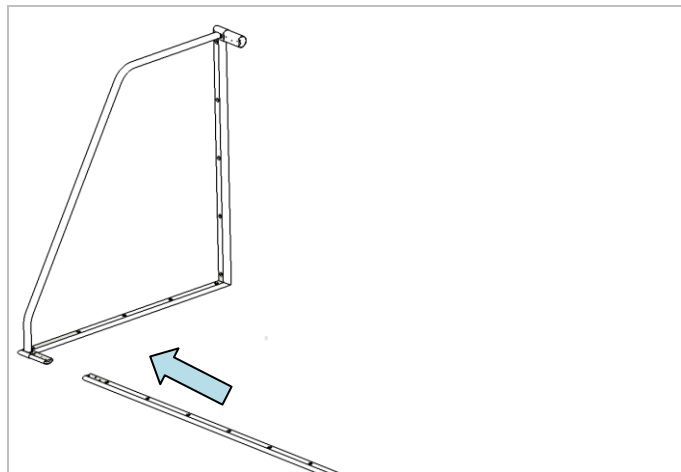
Parts List

- 2 X Goal End Right Side
- 2 X Goal End Left Side
- 2 X Cross Bar
- 2 X Rear Cross Bar
- 2 X Cable
- 4 X Ground Auger and Auger Cable
- 1 X Security Allen Key
- 25 X 3/8 Flat Washer
- 25 X 3/8 Lock Washer
- 25 X 3/8x1" Button Head Security Fastener



Step 1.

- Insert Rear Cross Bar into Goal End Left Side.
- Insert Lock washer and then Flat Washer onto Security Fastener. Loosely insert fasteners to prevent Rear Cross Bar from moving throughout remainder of assembly.
- **TIP:** Assemble Soccer Goal on ground.

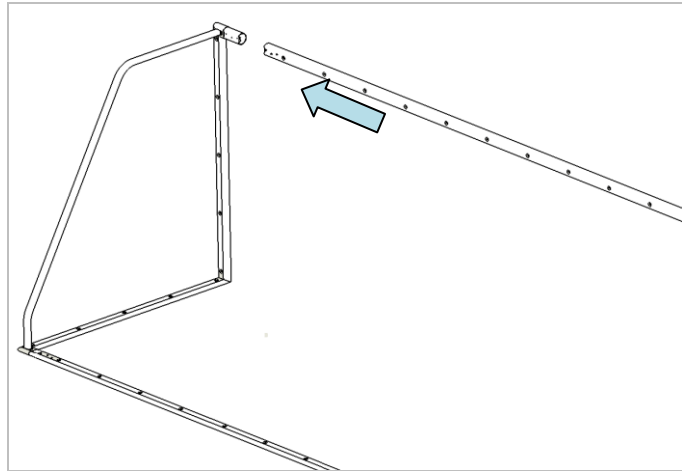




DM1200, DM1600, DM1800, DM2100, AND DM 2400 INSTALLATION INSTRUCTIONS

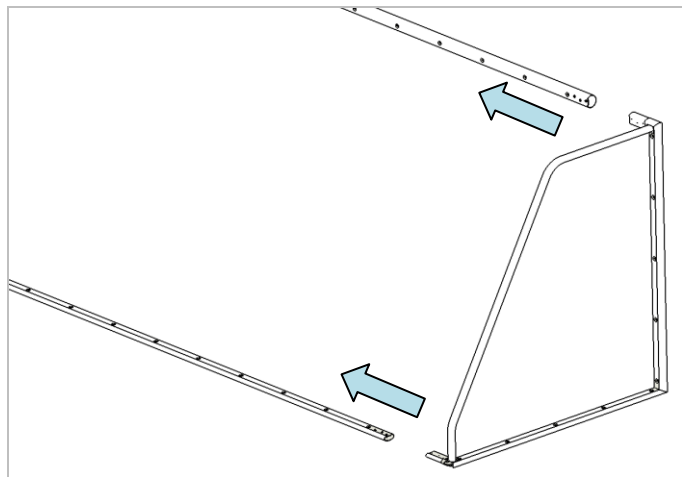
Step 2.

- Insert Cross Bar into Goal End Left Side.
NOTE: Cross Bar must be supported on both ends or damage may occur.
- Insert Lock washer and then Flat Washer onto Security Fastener. Loosely insert fasteners to prevent Cross Bar from moving throughout remainder of assembly.
- **TIP:** Use a Step Ladder to support opposite end.
- **TIP:** Apply lubricant to inner sleeve to ease insertion.



Step 3.

- Simultaneously insert the Goal End Right Side onto the Cross Bar and Rear Cross Bar.
- Insert Lock washer and then Flat Washer onto Security Fastener. Loosely insert fasteners.





DM1200, DM1600, DM1800, DM2100, AND DM 2400 INSTALLATION INSTRUCTIONS

Step 4.

- Use Security Allen Key to tighten Fasteners.
NOTE: It is recommended to insert all fasteners and then tighten once they are all in place.
- Use Ground Auger and Auger Cable to secure goal from tipping over. Use cables to secure goal to location.

