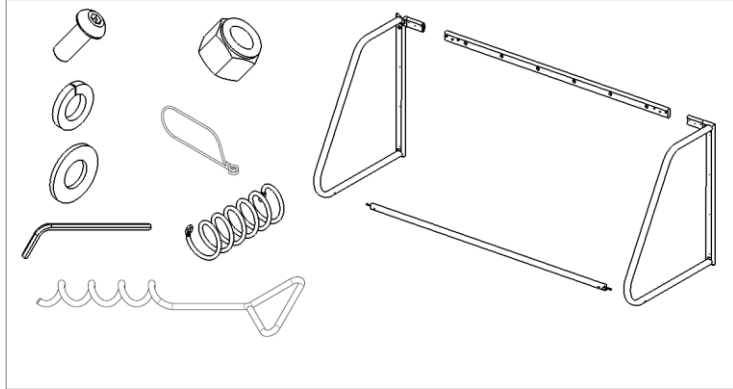




## DM600 AND DM1000 INSTALLATION INSTRUCTIONS

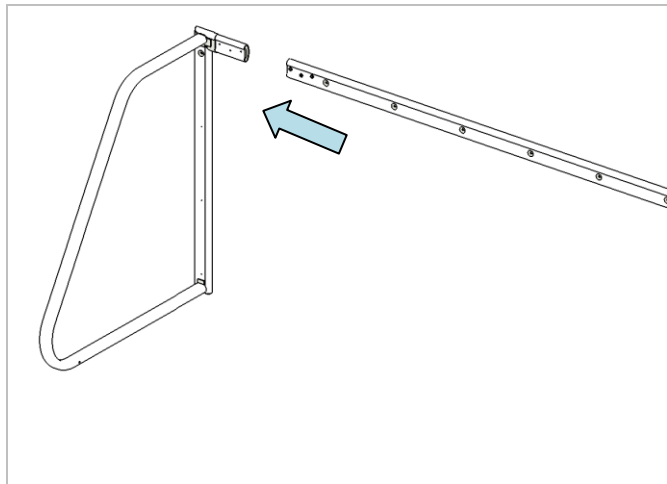
### Parts List

- 2 X Goal End Right Side
- 2 X Goal End Left Side
- 2 X Cross Bar
- 2 X Rear Cross Bar
- 2 X Cable
- 4 X Ground Auger and Auger Cable
- 1 X Security Allen Key
- 12 X 3/8 Flat Washer
- 12 X 3/8 Lock Washer
- 12 X 3/8x1" Button Head Security Fastener
- 4 X 5/8 Nylock Nut



### Step 1.

- Insert Cross Bar into Goal End Left Side.  
**NOTE:** Cross Bar must be supported on both ends or damage may occur.
- Insert Lock washer and then Flat Washer onto Security Fastener. Loosely insert fasteners to prevent Cross Bar from moving throughout remainder of assembly.
- **TIP:** Assemble Soccer Goal on ground.
- **TIP:** Apply lubricant to inner sleeve to ease insertion.

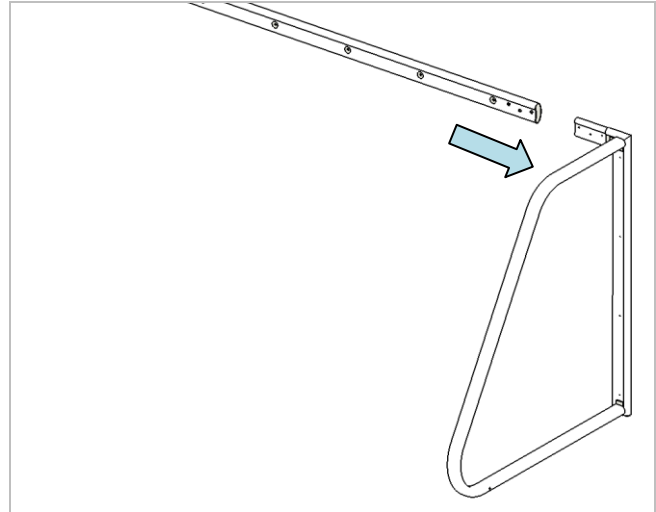




## DM600 AND DM1000 INSTALLATION INSTRUCTIONS

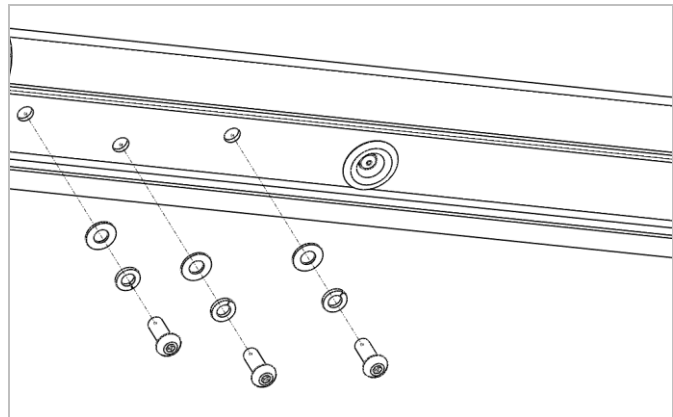
### Step 2.

- Insert Cross Bar into Goal End Right Side.
- Insert Lock washer and then Flat Washer onto Security Fastener. Loosely insert fasteners to prevent Cross Bar from moving throughout remainder of assembly.



### Step 3.

- Use Security Allen Key to tighten Fasteners. **NOTE:** It is recommended to insert all fasteners and then tighten once they are all in place.





## DM600 AND DM1000 INSTALLATION INSTRUCTIONS

### Step 4.

- Insert Rear Cross bar into the Right and Left side Goal Ends. On each side, feed Eye Bolt through Goal Ends until visible on the outside.
- Tighten Lock Nut to secure Rear Cross Bar.
- Use Ground Augers and Auger Cables to secure goal from tipping over. Use cables to secure goal to location.

