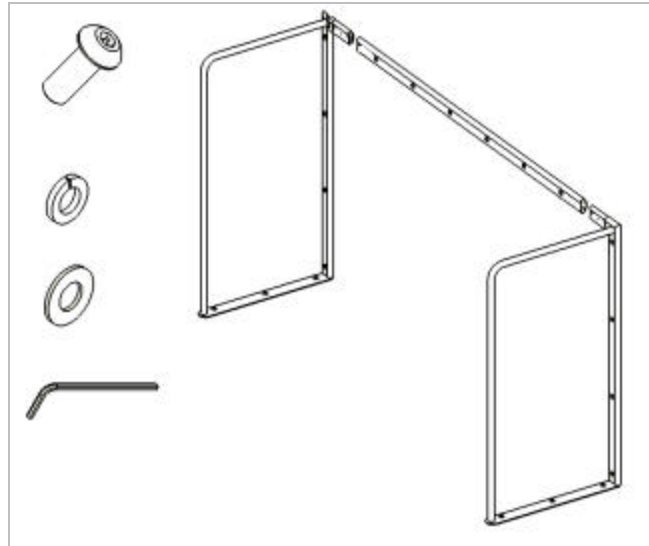




## F11 Installation Instructions

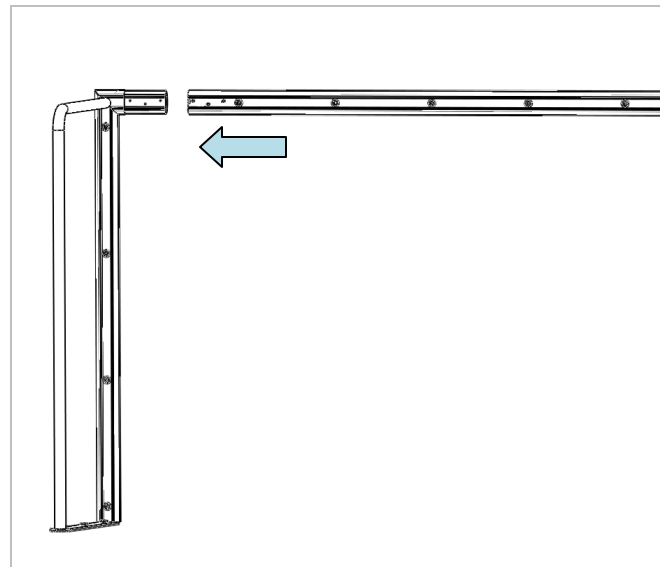
### Parts List

- 2 X Goal End Right Side
- 2 X Goal End Left Side
- 2 X Cross Bar
- 1 X Torx Driver Bit
- 13 X 3/8 Flat Washer
- 13 X 3/8 Lock Washer
- 13 X 3/8x1" Security Bolt



### Step 1.

- Insert Cross Bar into Goal End Left Side.
- Insert Lock washer and then Flat Washer onto Security Fastener. Loosely insert fasteners to prevent Cross Bar from moving throughout remainder of assembly.
- **TIP:** Assemble Goal on ground.
- **TIP:** Apply lubricant to inner sleeve to ease insertion.

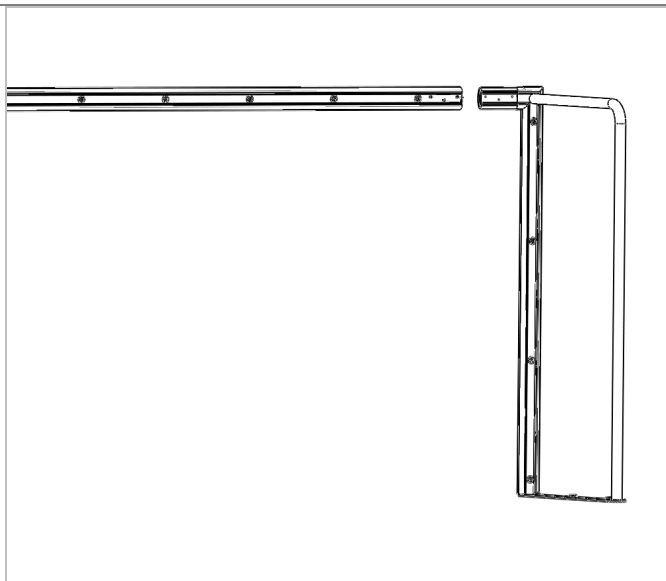




## F11 Installation Instructions

### Step 2.

- Insert Cross Bar into Goal End Right Side. **NOTE:** Cross Bar must be supported on both ends or damage may occur.
- Insert Lock washer and then Flat Washer onto Security Fastener. Loosely insert fasteners to prevent Cross Bar from moving throughout remainder of assembly.



### Step 3.

- Use Security Allen Key to tighten Fasteners. **NOTE:** It is recommended to insert all fasteners and then tighten once they are all in place.

