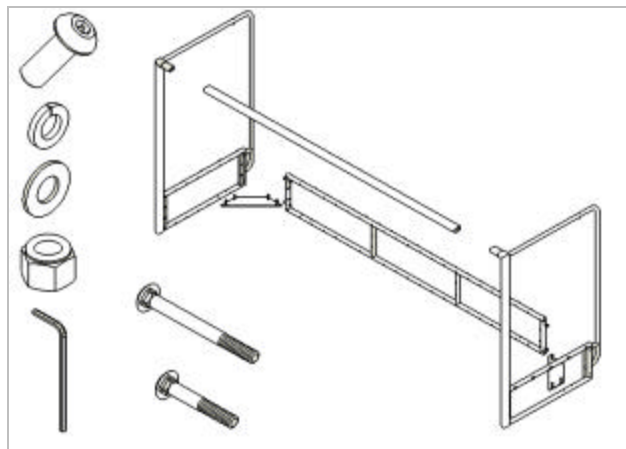




FH1200 Installation Instructions

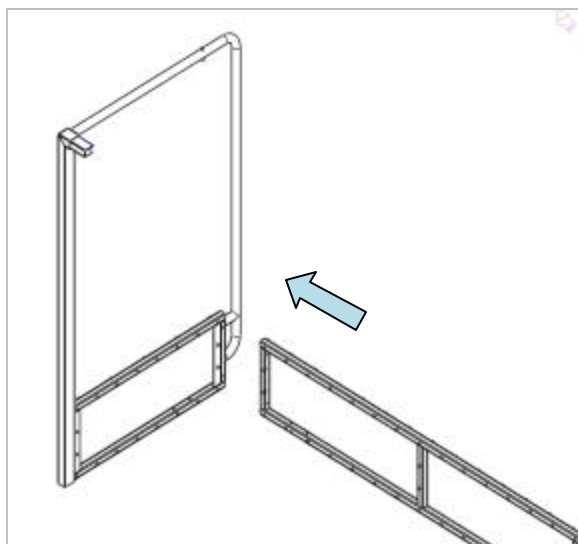
Parts List

- 2 X End Assembly Right Side
- 2 X End Assembly Left Side
- 2 X Upper Cross Bar
- 2 X Back Board
- 4 X Corner Bracket
- 1 X Torx Driver Bit
- 36 X 3/8 Flat Washer
- 12 X 3/8 Lock Washer
- 12 X 3/8x1" SecurityBolt
- 24 X 3/8 Lock Nut
- 16 X 3/8x2.5" Carriage Bolt
- 8 X 3/8x4" Hex Bolt



Step 1.

- Insert right end of Back Board into End Assembly Right Side.
- **TIP:** Assemble Field Hockey Goal on ground.

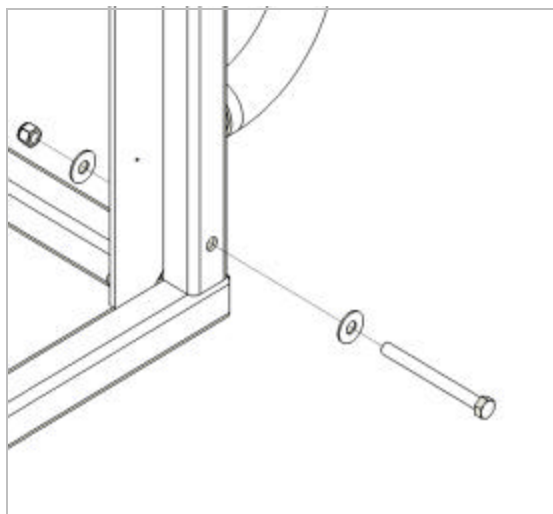




FH1200 Installation Instructions

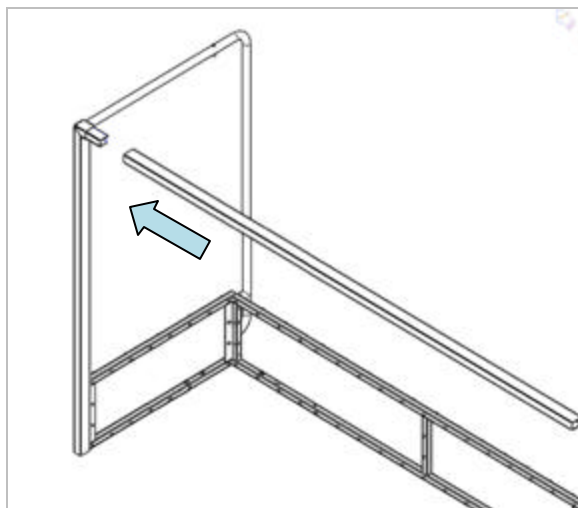
Step 2.

- Insert Flat Washer onto 3/8X4" Hex bolt and insert Hex Bolt into the End Assembly Right End through the Back Board. Secure onto Assembly with a Flat Washer and Lock Nut.
- Tighten with Wrench.



Step 3.

- Inert Upper Cross Bar into the End Assembly Right Side. **NOTE:** Upper Cross Bar must be supported on both ends or damage may occur.
- **TIP:** Use a Step Ladder to support opposite end.
- **TIP:** Apply lubricant to inner sleeve to ease insertion.

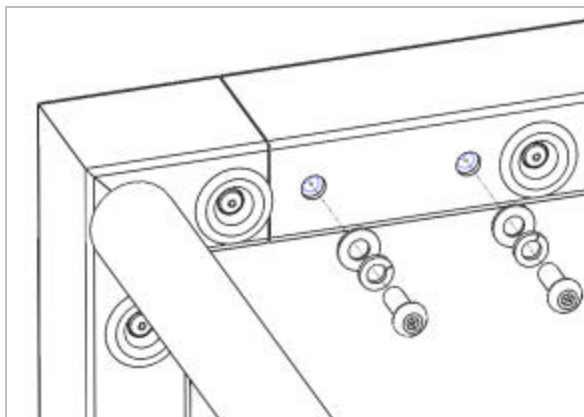




FH1200 Installation Instructions

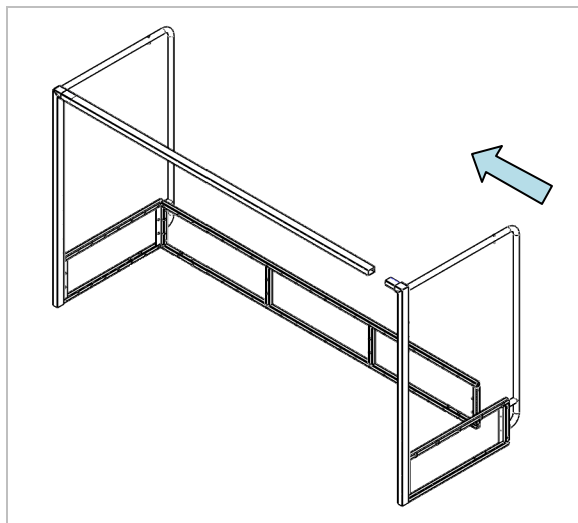
Step 4.

- Insert Lock Washer and then Flat Washer onto Security Fastener and insert into Upper Cross Bar.
- Use Security Allen Key to tighten Fasteners.



Step 5.

- Simultaneously insert the End Assembly Right Side onto the Upper Cross Bar and Back Board.
- Repeat Step 2 and Step 4 for the right side.





FH1200 Installation Instructions

Step 6.

- Attach Corner Bracket to both back corners between the End Assemblies and the Back Board.
- Insert Carriage Bolt through the Corner Bracket and assembly and secure with flat washer and Lock Nut.
- Tighten with Wrench.

