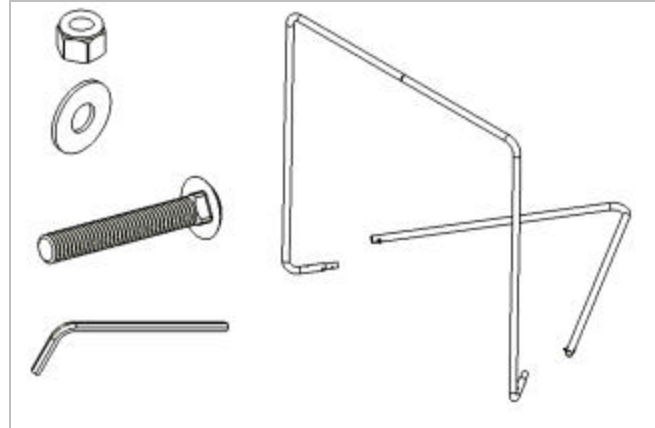




## L1000 Installation Instructions

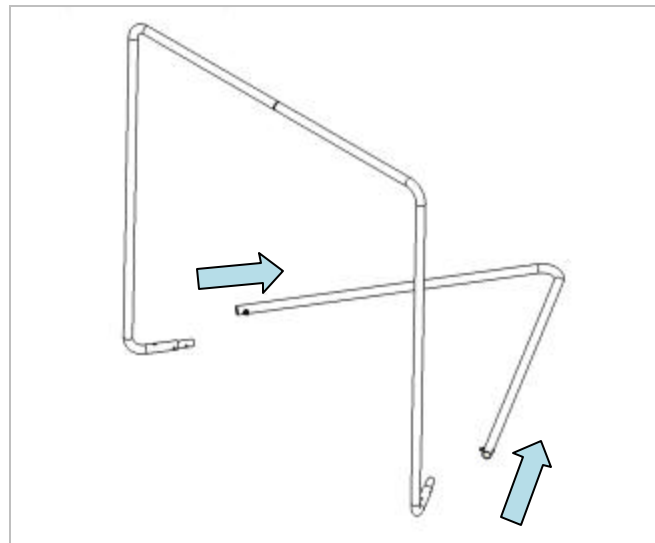
### Parts List

- 2 X Crossbar Assembly
- 2 X Base
- 4 X 3/8 Nylock Nut
- 4 X 3/8 Flat Washer
- 4 X Round Head Square Neck Bolt
- 1 X Security Allen Key



### Step 1.

- Insert Crossbar Assembly into Base.
- **TIP:** Apply lubricant to inner sleeve to ease insertion.





## L1000 Installation Instructions

### Step 2.

- Insert Security Fastener through Base and Crossbar Assembly and loosely secure with a Flat Washer and Nylock Nut. Once fasteners are in place on both sides, use Security Allen Key to tighten Fasteners.

