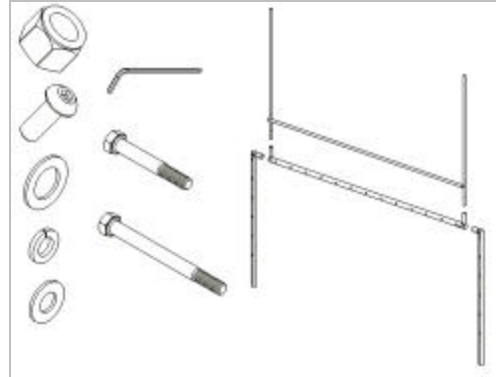




P2400C Installation Instructions

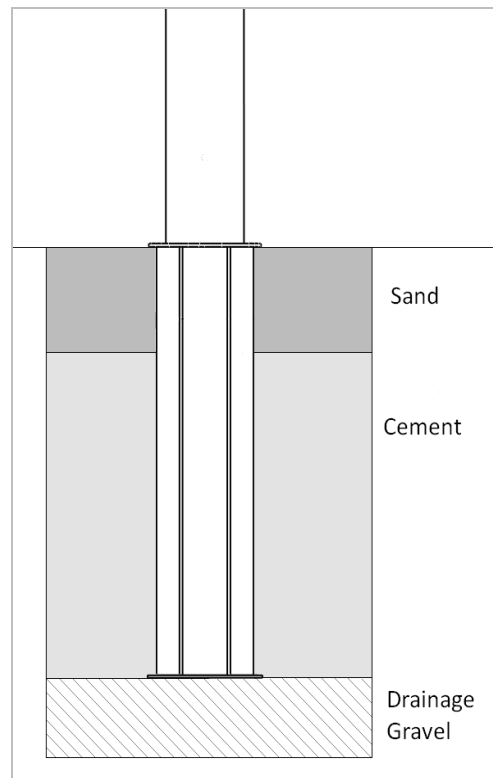
Parts List

- 4 X Upright Pipe
- 2 X Combination Upper Bar
- 2 X Upright with Corner Right Side
- 2 X Upright with Corner Left Side
- 2 X Combination Lower Bar
- 4 X Permanent Ground Sleeve
- 1 X Torx Driver Bit
- 12 X 3/8 Flat Washer
- 12 X 3/8 Lock Washer
- 12 X 3/8x1" Security Bolt
- 8 X 1/2 Nylock Nut
- 8 X 1/2 Flat Washer
- 4 X 1/2 x 5 1/2" Hex Bolt
- 4 X 1/2 x 3 1/2" Hex Bolt



Step 1.

- **The following steps are general recommendations for installation of the Ground Sleeves. Soil conditions, frost, and climate may require adjustment of instructions. A Geotech should explore conditions and recommend instructions to suit your application before Goal is assembled.**
- Dig Hole for ground sleeves, Holes should be approximately 30" deep and 10" to 12" wide. Softer Soil will require a wider hole. Fill bottom 6" of hole with drainage gravel.
- Place ground sleeve in hole with bolt facing the back of the field and the top flush with ground level.
- Fill with Cement leaving 4" to 6" clearance to fill with sand to leave bolt accessible and allowing grass to grow around sleeve.

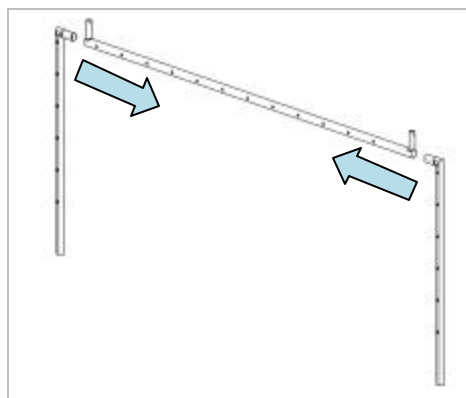




P2400C Installation Instructions

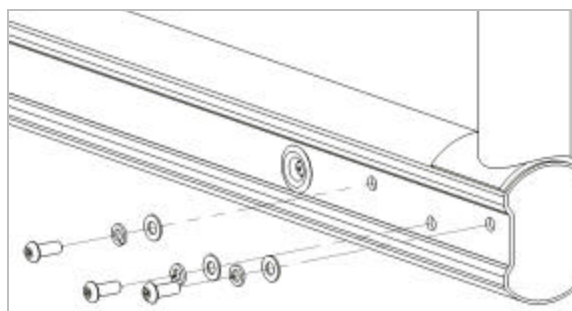
Step 2.

- Insert Upright with Corner Right Side and Upright with Corner Left Side onto Combination Upper Bar.
- **TIP:** Assemble Goal on ground.



Step 3.

- Insert Lock washer and then Flat Washer onto Security Fastener. Loosely insert fasteners into assembly. Once all fasteners are in place, use Security Allen Key to tighten Fasteners.
- Two people should lift and place assembled Soccer Goal into Ground Sleeve.





P2400C Installation Instructions

Step 4.

- Attach both upright pipes to the Combination Upper Bar using the 5.5" Hex Bolts. First apply a Flat Washer then slide bolt through assembly. Secure with a second Flat Washer and a Lock Nut.
- Lift Assembly and Place into the goal. Secure with 3.4" Hex Bolts securing with Flat Washers, and Lock Nuts.

