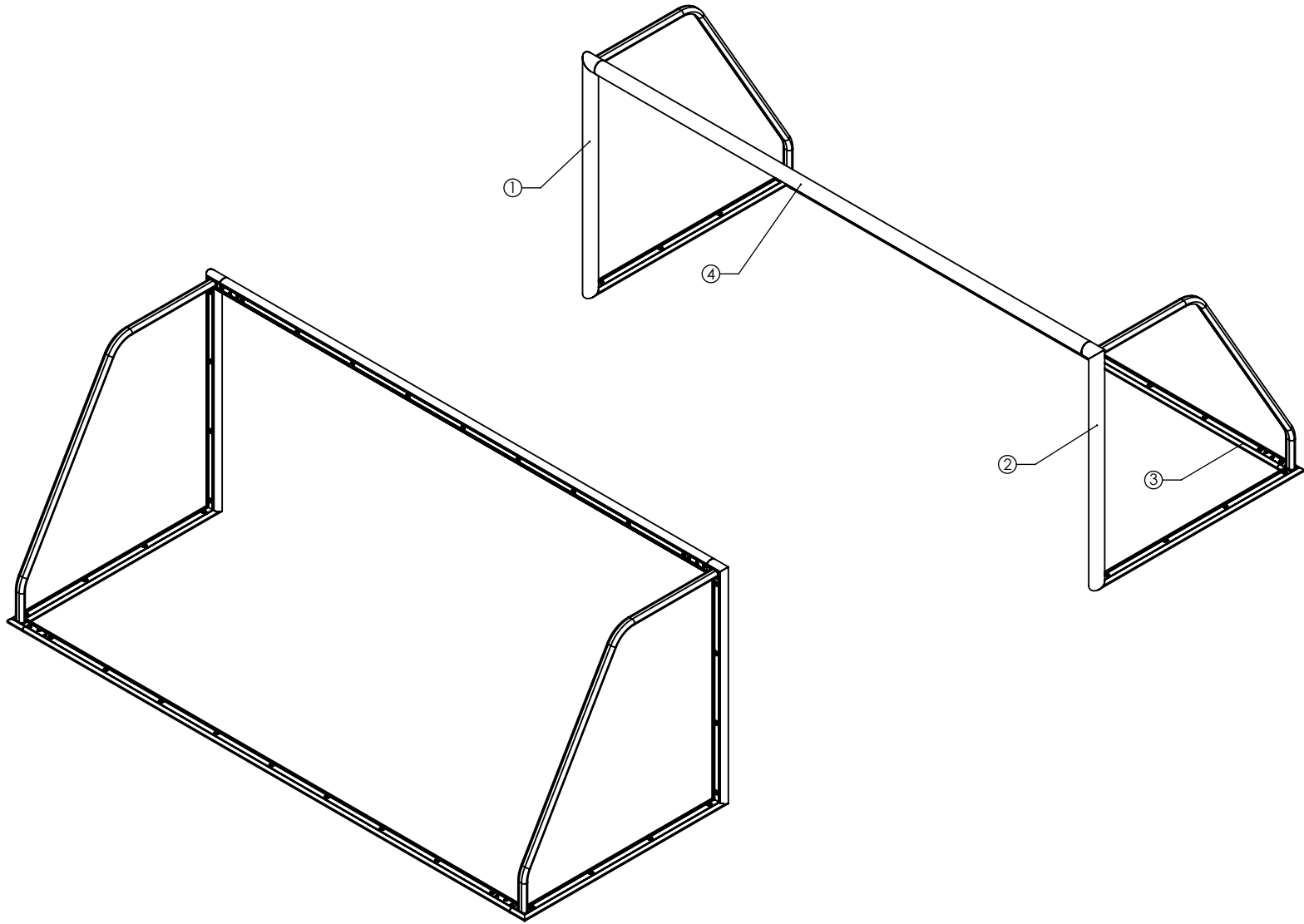


ITEM	QTY	PART NO.	DESCRIPTION	MATERIAL ID
1	2	SM-GE-DM12-18-RS	DM1200-1800 Goal End RS	ASSEMBLY
2	2	SM-GE-DM12-18-LS	DM1200-1800 Goal End LS	ASSEMBLY
3	2	SM-RCB16	DM1600 Rear Cross Bar	ASSEMBLY
4	2	SM-CB16	DM1600 Cross Bar	ASSEMBLY
5	1	SM-PARTSBOX-DM12-24	SM-PARTSBOX-DM12-24	ASSEMBLY

REVISIONS			
REV.	DESCRIPTION	DATE	APPROVED
00	ISSUED FOR CONSTRUCTION	22/08/2011	EP



NOTICE: THIS DRAWING MAY REVEAL DESIGNS OR INFORMATION PROPRIETARY TO PROFESSIONAL COMPONENTS LTD. BY ACCEPTANCE OF REPRODUCTIONS, RECIPIENTS AGREE TO PROTECT PROFESSIONAL COMPONENTS RIGHTS AND ARE WARNED AGAINST USE OF THE DOCUMENT FOR ANY PURPOSE OTHER THAN THAT FOR WHICH IT WAS ISSUED.

STANDARD FINISH 125
BREAK SHARP EDGES
DE-BURR HOLES

DIMENSIONS IN (mm)
UNSPECIFIED TOLERANCES:
X = ± 0.5
X.X = ± 0.25
X.XX = ± 0.1
X.XXX = ± 0.02
ANGLES ±0.5° OR AS NOTED

APPROVALS	DATE (MM/DD/YY)	MATERIAL
DRAWN ---	---/---/---	ASSEMBLY
CHECKED ---	---/---/---	FINISH NONE

CAD GENERATED DRAWING, DO NOT MANUALLY UPDATE
DO NOT SCALE DRAWING

2074 Henry Avenue
Sidney, BC, CANADA
V8L 5Y1
Tel: 250.656.6165
1-888-726-7627



THE ULTIMATE ALUMINUM SPORTS GOAL
SM-DM1600.SLDASM

PROCESS BOM

DWG. NO. SM-DM1600

SHEET SIZE: A SCALE: 1:45 REV.: 00 SHEET: 1 OF 1