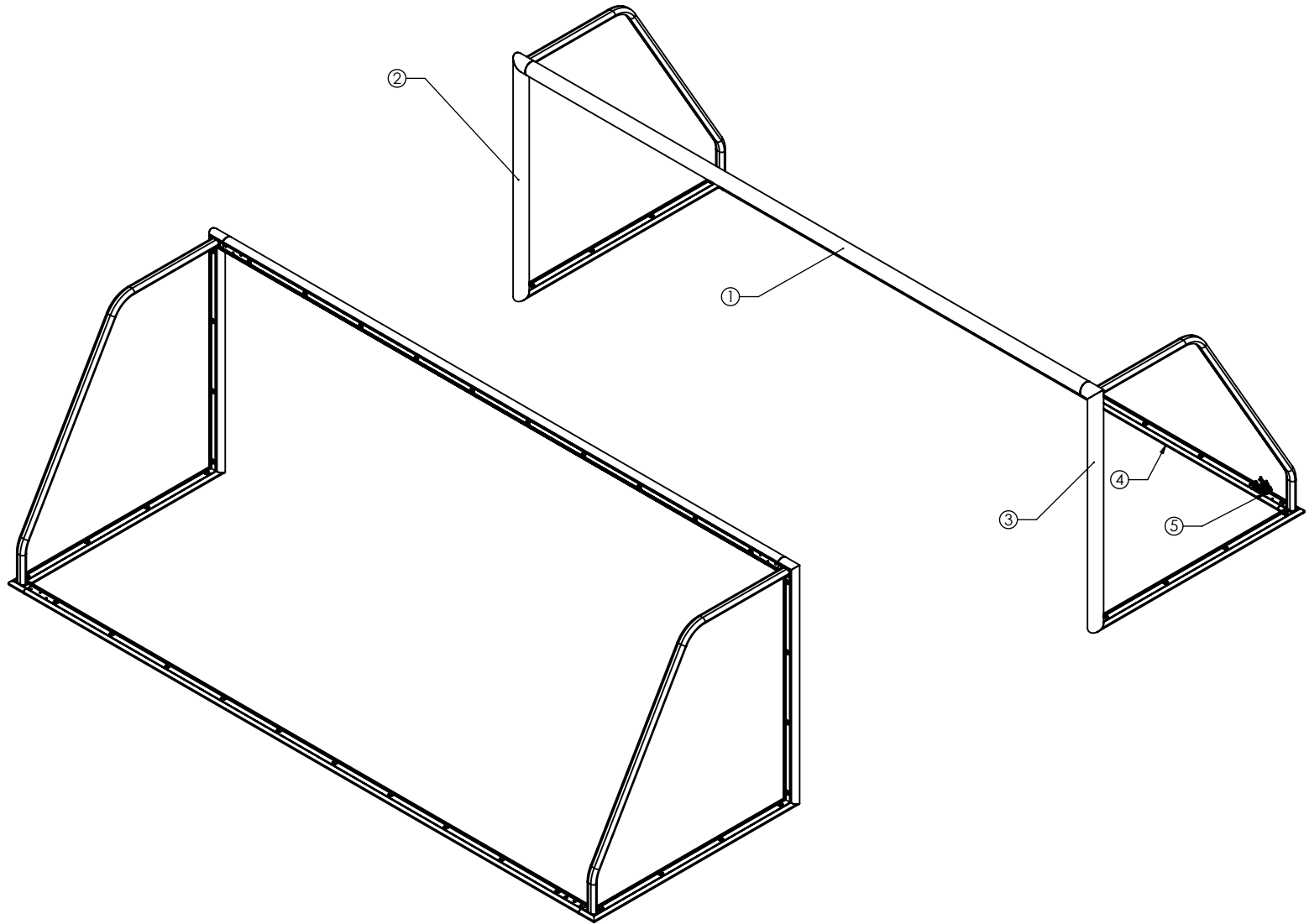


ITEM	QTY	PART NO.	DESCRIPTION	MATERIAL ID
1	2	SM-CB18	DM1800 Crossbar Assembly	ASSEMBLY
2	2	SM-GE-DM12-18-RS	DM1200-1800 Goal End RS	ASSEMBLY
3	2	SM-GE-DM12-18-LS	DM1200-1800 Goal End LS	ASSEMBLY
4	2	SM-RCB18	DM1800 Rear Cross Bar	ASSEMBLY
5	1	SM-PARTSBOX-DM12-24	SM-PARTSBOX-DM12-24	ASSEMBLY

REVISIONS			
REV.	DESCRIPTION	DATE	APPROVED
00	ISSUED FOR CONSTRUCTION	22/08/2011	EP



NOTICE: THIS DRAWING MAY REVEAL DESIGNS OR INFORMATION PROPRIETARY TO PROFESSIONAL COMPONENTS LTD. BY ACCEPTANCE OF REPRODUCTIONS, RECIPIENTS AGREE TO PROTECT PROFESSIONAL COMPONENTS RIGHTS AND ARE WARNED AGAINST USE OF THE DOCUMENT FOR ANY PURPOSE OTHER THAN THAT FOR WHICH IT WAS ISSUED.

STANDARD FINISH 125
BREAK SHARP EDGES
DE-BURR HOLES

DIMENSIONS IN (mm)

UNSPECIFIED TOLERANCES:
X = ± 0.5
X.X = ± 0.25
X.XX = ± 0.1
X.XXX = ± 0.02

ANGLES ±0.5° OR AS NOTED

APPROVALS	DATE (MM/DD/YY)	MATERIAL
DRAWN ---	--/--	ASSEMBLY
CHECKED ---	--/--	FINISH NONE

2074 Henry Avenue
Sidney, BC, CANADA
V8L 5Y1
Tel: 250.656.6165
1-888-726-7627

CAD GENERATED DRAWING, DO NOT MANUALLY UPDATE
DO NOT SCALE DRAWING

PROCESS BOM

DWG. NO. SM-DM1800

THE ULTIMATE ALUMINUM SPORTS GOAL

SM-DM1600.SLDASM

SHEET SIZE: A SCALE: 1:45 REV.: 00 SHEET: 1 OF 1