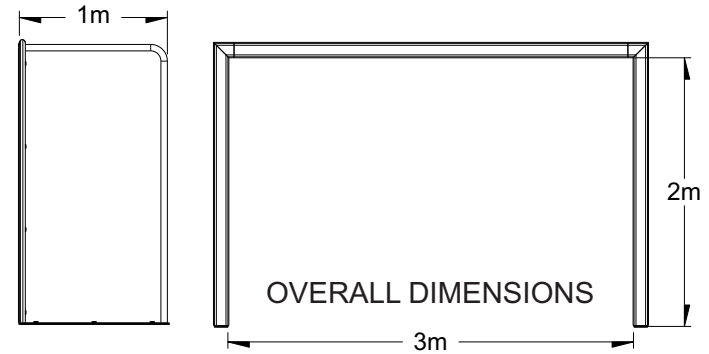
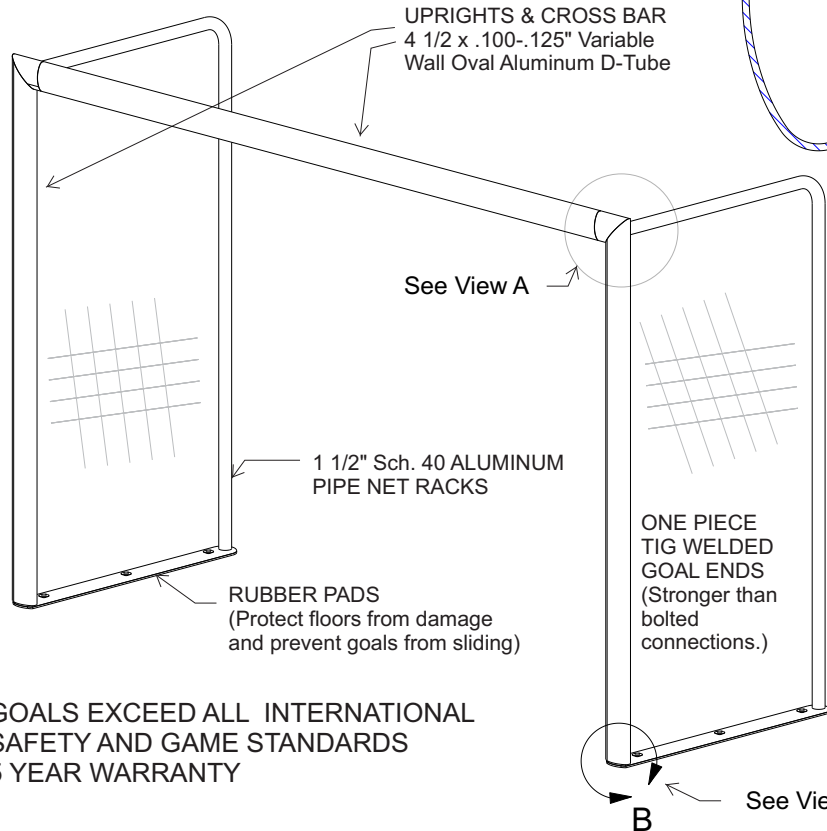


VIEW A



OVERALL DIMENSIONS



See View A

ONE PIECE TIG WELDED GOAL ENDS (Stronger than bolted connections.)

See View B

GOALS EXCEED ALL INTERNATIONAL SAFETY AND GAME STANDARDS  
5 YEAR WARRANTY

# D/Max

**SAFETY TUBING**  
Thicker in high stress areas for strength and thinner in other areas for low weight.

ENGINEERED MATERIALS DESIGNED BY SCOREMASTER SPECIFICALLY FOR GOAL CONSTRUCTION

3/8" ALUMINUM FLAT BAR NET RACK BASE

VIEW B

STANDARD RECESSED SMOOTH STAINLESS STEEL NET FASTENERS (Fit all nets - no other parts to purchase. Will not injure players like steel or plastic hooks or clips)

NON MARKING RUBBER BASE

THIS IS A STRONG AND STABLE PROFESSIONAL QUALITY GOAL

BRIGHT ALUMINUM FINISH IS STANDARD. WHITE POWDER COAT IS OPTIONAL. GOALS ARE SHIPPED KNOCKED DOWN AND CAN EASILY BE ASSEMBLED BY TWO PERSONS IN MINUTES.



F-1100 Futsal Goal