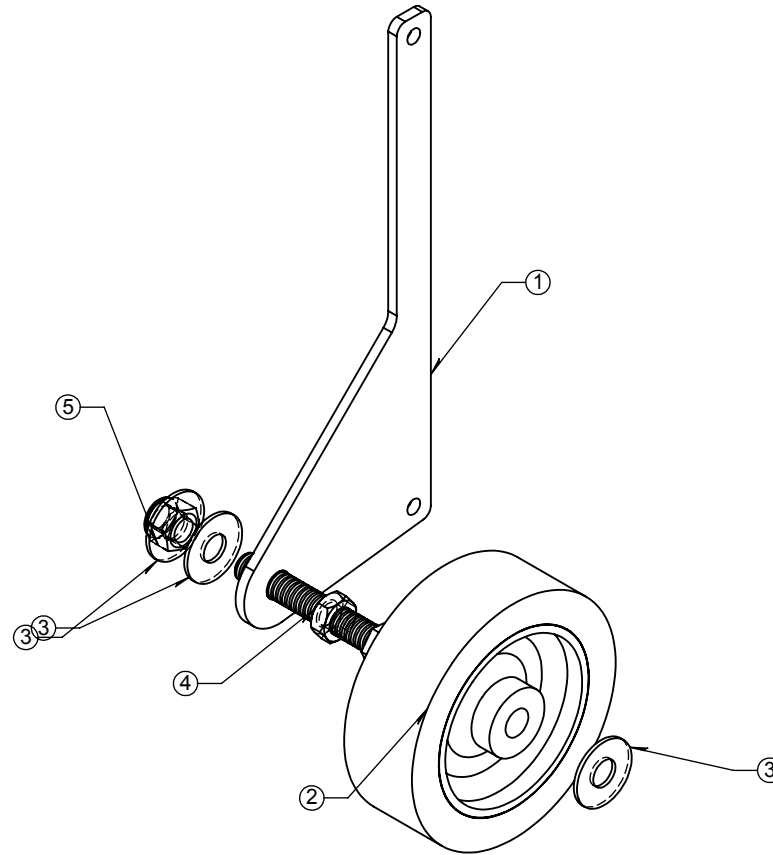
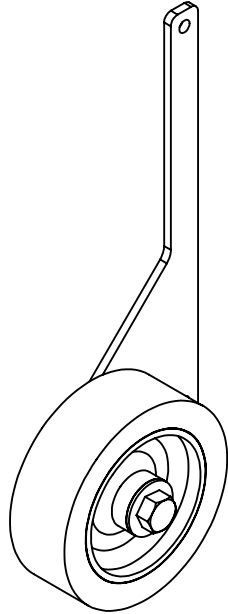


ITEM	QTY	PART NO.	DESCRIPTION	MATERIAL ID
1	1	SM-FH-WHEEL-BRKT	FIELD HOCKEY WHEEL BRACKET	AL-PLT-.25-5052H32
2	1	SM-FH-WHEEL	FIELD HOCKEY WHEEL	.
3	3	FA-5/8-FW-SS	Washer, Flat - Regular	SS
4	1	HJNUT 0.6250-11-D-N	Hex Jam Nut	HJNUT 0.6250-11-D-N
5	1	FA-5/8-LN-NC-SS	Nut, Nylock	SS
6	1	FA-5/8X4-HH-NC-CS-SS	Bolt, Hex	SS

REVISIONS			
REV.	DESCRIPTION	DATE	APPROVED
00	PRELIMINARY	08/21/2008	.



**RIGHT SIDE SHOWN
LEFT SIDE OPP.**

NOTICE: THIS DRAWING MAY REVEAL DESIGNS OR INFORMATION PROPRIETARY TO PROFESSIONAL COMPONENTS LTD. BY ACCEPTANCE OF REPRODUCTIONS, RECIPIENTS AGREE TO PROTECT PROFESSIONAL COMPONENTS RIGHTS AND ARE WARNED AGAINST USE OF THE DOCUMENT FOR ANY PURPOSE OTHER THAN THAT FOR WHICH IT WAS ISSUED.

STANDARD FINISH 125
BREAK SHARP EDGES
DE-BURR HOLES

DIMENSIONS IN (mm)
UNSPECIFIED TOLERANCES:
X = ± 0.5
X.X = ± 0.25
X.XX = ± 0.1
X.XXX = ± 0.02
ANGLES ±0.5° OR AS NOTED

APPROVALS	DATE (MM/DD/YY)	MATERIAL
ASSEMBLY		
DRAWN ---	---/---/---	FINISH NONE
CHECKED ---	---/---/---	CAD GENERATED DRAWING, DO NOT MANUALLY UPDATE DO NOT SCALE DRAWING

2074 Henry Avenue
Sidney, BC, CANADA
V8L 5Y1
Tel: 250.656.6165
1-888-726-7627



THE ULTIMATE ALUMINUM SPORTS GOAL
Field Hockey Wheels

PROCESS GA DWG. NO. SM-FH1200-WHEELS

SHEET SIZE: A SCALE: 1:4 REV.: 00 SHEET: 1 OF 1