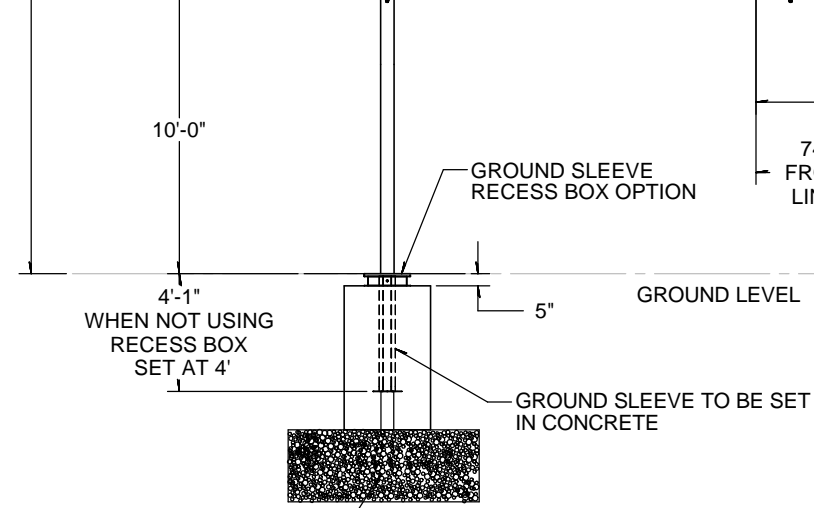
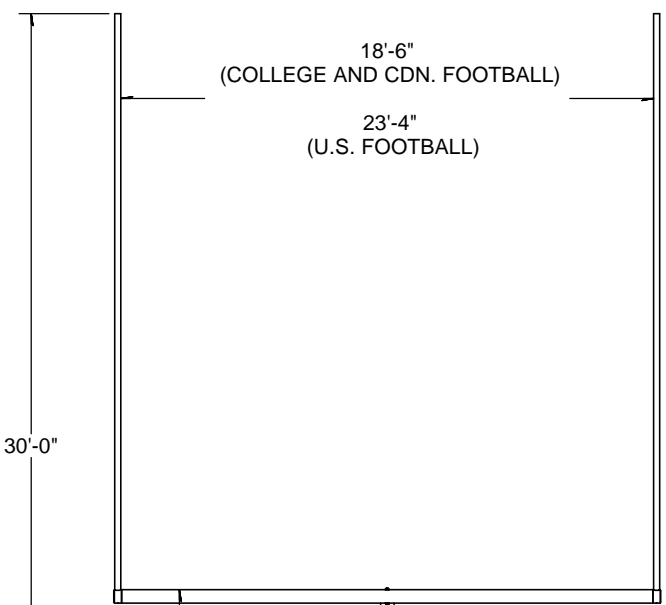
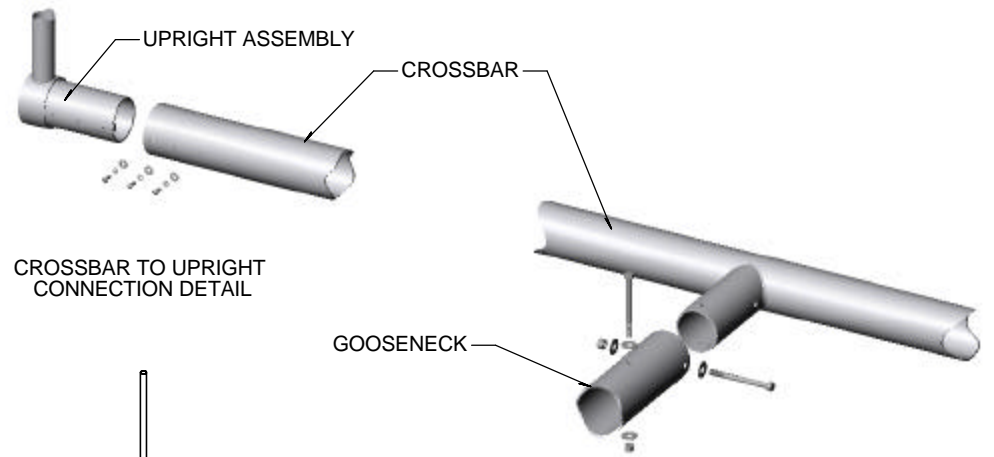


D  
C  
3  
A

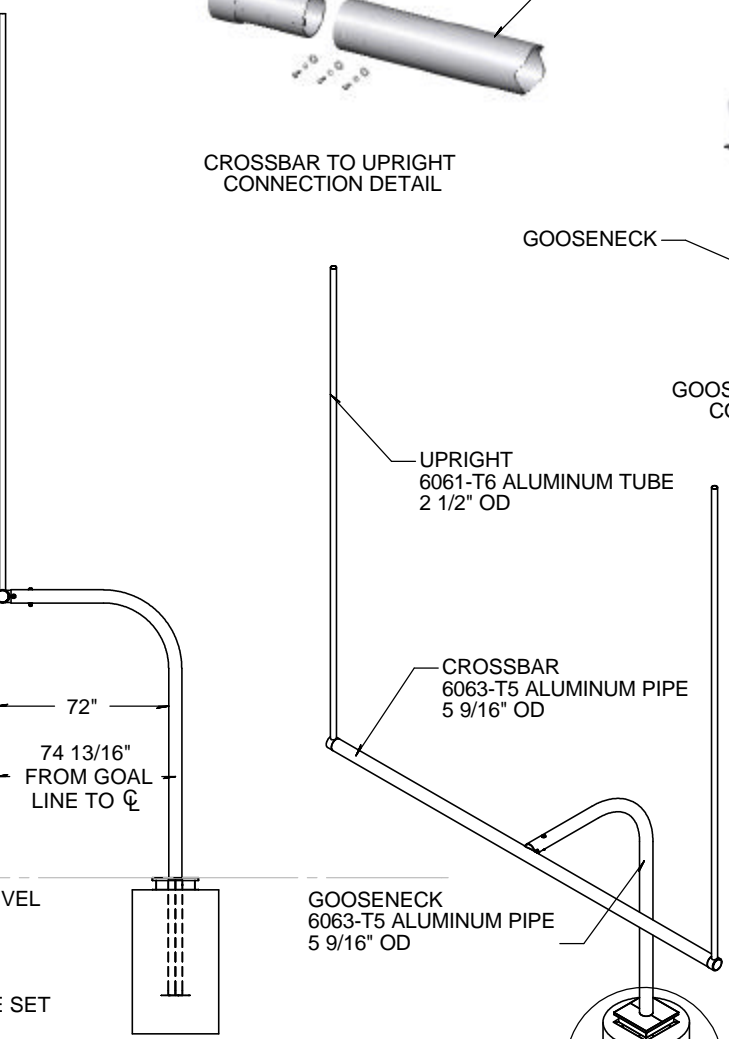


ENSURE PROPER DRAINAGE OF GROUND SLEEVE BY INSTALLING DRAIN PIPE UNDER SLEEVE AND DRAIN ROCK BED BELOW CONCRETE



CROSSBAR TO UPRIGHT CONNECTION DETAIL

GOOSENECK TO CROSSBAR CONNECTION DETAIL



GROUNDSLEEVE



DETAIL GROUNDSLEEVE SCALE 1 : 35



Part Name:	SM-FB1000-72	
Size:	Date:	REV.
A	Friday, October 21, 2005 10:35:25 AM	
Scale:	1:80	Drawn By:

THE INFORMATION CONTAINED IN THIS DRAWING IS THE SOLE PROPERTY OF SCOREMASTER ANY REPRODUCTION IN PART OR IN WHOLE WITHOUT THE WRITTEN PERMISSION OF SCOREMASTER IS PROHIBITED

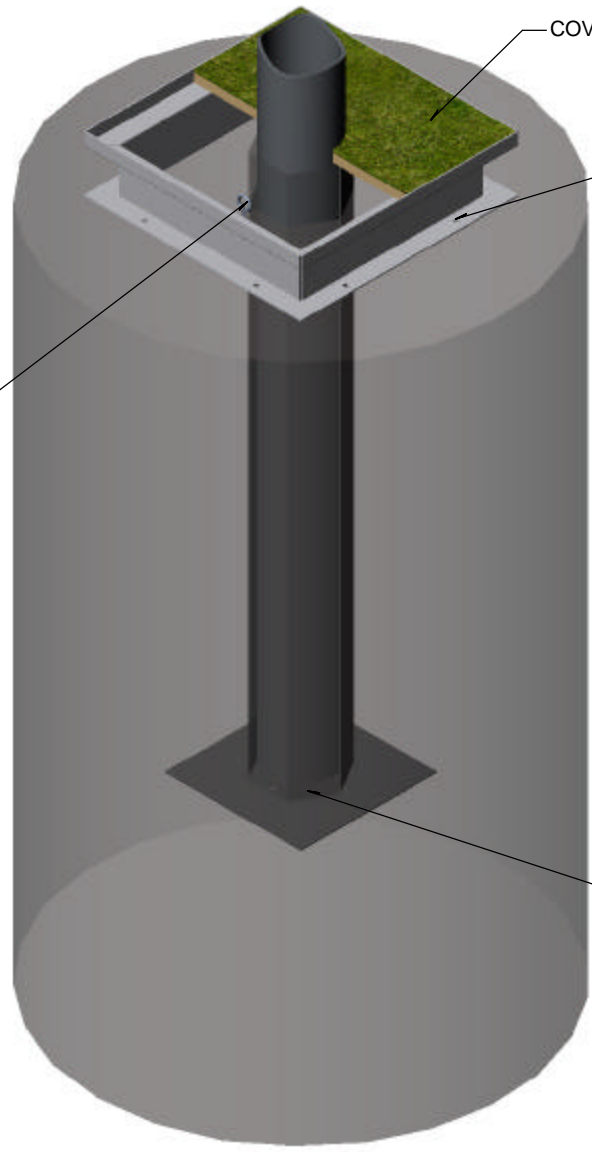
File Path: W:\Projects by Customer\Scoremaster\FB1000CDN-72\Current\Drawings\Assembly Drawings\

8 7 6 5 4 3 2 1

D  
C  
B  
A

D  
C  
B  
A

D  
C  
B  
A



COVER NOT INCLUDED

INSTALL 3/8" BOLTS INTO CONCRETE TO SECURE BOX. USE BOX TO ESTABLISH HOLE PATTERN.

FOR 8'6" OFFSET OPTION USED IN COMBINATION WITH DM SERIES GOALS INSTALL EYE HOOK IN CONCRETE BASE TO SECURE DM GOALS USING CABLE LOCK. DRILL 1" HOLE IN COVER TO CLEAR CABLE.



INSERT 1" SPACER RING INTO BASE OF GROUND SLEEVE PRIOR TO INSTALLING GOAL



Part Name:		SM-FB-RB Ground Sleeve Recess Box	
Size:	Date:	REV.	
A	Friday, October 21, 2005 10:35:25 AM		
Scale:	1:80	Drawn By:	

THE INFORMATION CONTAINED IN THIS DRAWING IS THE SOLE PROPERTY OF SCOREMASTER ANY REPRODUCTION IN PART OR IN WHOLE WITHOUT THE WRITTEN PERMISSION OF SCOREMASTER IS PROHIBITED

File Path: W:\Projects by Customer\Scoremaster\FB1000CDN-72\Current\Drawings\Assembly Drawings\

8 7 6 5 4 3 2 1